

**PRODUCT TECHNICAL AND OPERATIONAL DOCUMENTATION**

**INSTALLATION MANUAL**

- 11. Awnings
- 11.11 Balcony awning **ITALIA BALCONY**
- 11.11.1 Installation manual



## PRODUCT TECHNICAL AND OPERATIONAL DOCUMENTATION

### Installation manual

#### 11.11.1 DT-E

##### **PRODUCT NAME**

**BALCONY AWNING**

**ITALIA BALCONY**

---

##### **PRODUCT MANUFACTURER'S MARKING:**

Manufacturer's name:

- SELT Sp. z o.o.

---

Manufacturer's head office:

- 45- 449 Opole, ul. Wschodnia 23A

---

Website

- [www.selt.com](http://www.selt.com)

---

Plant address :

- Wydział Produkcji Markiz  
45- 449 Opole, ul. Wschodnia 23A

---

Contact details:

Tel: +48 77 553 21 00 (secretariat)

Fax: +48 77 553 22 00

---

E-mail:

- [selt@selt.com](mailto:selt@selt.com)

---

##### **PRODUCT SAFETY MARKING:**

- Product conforms to CE safety requirements

---

##### **This Technical and Operational Documentation:**

- Is valid from: 01 April 2017
- Is valid for product versions designated above

---

## Table of contents

|     |   |    |
|-----|---|----|
| 1   | Introduction .....  | 4  |
| 1.1 | Product safety tips.....  | 4  |
| 1.2 | Notes on symbols and marks .....                                  | 4  |
| 1.3 | Definitions .....   | 5  |
| 1.4 | Subject, designation and contents of the documentation.....       | 5  |
| 2   | Product technical information .....                               | 6  |
| 2.1 | Technical parameters .....  | 6  |
| 2.2 | Italia awning construction.....                                   | 7  |
| 3   | Product installation.....   | 8  |
| 3.1 | General requirements for safe installation .....                  | 8  |
| 3.2 | Requirements for safe installation at heights.....                | 8  |
| 3.3 | Preparation to installation .....                                 | 9  |
| 3.4 | General guidelines for installation.....                          | 9  |
| 3.5 | Installation tools.....   | 10 |
| 3.6 | Italia Balcony awning installation .....                          | 10 |
| 3.7 | Manual drive.....   | 16 |
| 4   | Final remarks.....  | 17 |
| 4.1 | Completeness and qualitative state of delivery .....              | 17 |
| 4.2 | General conditions for transport and storage of the product ..... | 17 |
| 5   | Marking and labelling the product with CE mark.....               | 18 |
| 5.1 | Product compliance with the CE standard.....                      | 18 |
| 5.2 | Information accompanying the CE mark.....                         | 18 |

# 1 Introduction

## 1.1 Product safety tips






The product was manufactured in accordance with the latest know-how in the area of constructing and manufacturing technology and is delivered in condition assuring operational safety.

Safe product construction was achieved thanks to:

| No. | Subject  | European legal basis  | Polish legal basis  |
|-----|--|---|---|
| 1   | External blinds. Performance requirements including safety | EN- 13561:2015  | PN-EN 13561:2015  |
| 2   | Construction Products Regulation (CPR)                     | Regulation (EU) no 305/2011 of the European Parliament and of the Council | DZ. U [Journal of Laws] 2004, No. 92, item 881 as amended by, DZ. U [Journal of Laws] 2016, No. 1570; 2015, No. 1165; 2016, No. 542 |
| 3   | General product safety                                     | Directive 2001/95/EC of the European Parliament and the Council           | DZ. U [Journal of Laws] of 12 December 2003, No. 229, item 2275 as amended  |

## 1.2 Notes on symbols and marks

The below symbols (icons) denote particularly important information concerning threats and safety.

| Icon  | Icon meaning | Information  |
|---|--------------|--|
|  | INFORMATION  | Prior to using the product, its operating manual should be read. Following the operating manual guarantees:<br>- failure-free use of the product,<br>- warranty coverage against product defects.<br>Keep the operating manual for safety of people. |
|  | INFORMATION  | No harmful or dangerous consequences for people or facilities.   |
|  | ATTENTION!   | A situation likely to cause product damage or other damage.<br>No threat for people.   |
|  | WARNING!     | Threat of danger   |
|  | DANGER!      | This symbol denotes all information concerning danger, failure to observe which brings about threat to human life and health.<br>Risk: threat of serious injury or death. Dangerous operation which may cause injuries or product damage.            |

### 1.3 Definitions

The terms and definitions used within this documentation shall mean:

**Product: balcony awning ITALIA BALCONY**

**Awning:**

Window-balcony awning, as external sun protection screen is installed for protection from sunlight and covering balconies, terraces and balcony niches. Rolling up and down of the awning fabric is performed with the use of manual crank.

**Awning fabric:**

Part of the product serving for protection from sun light, but also having a decorative function. Manufactured from high quality materials is put into motion with manual control mechanism, assuring the product fulfills its function.

### 1.4 Subject, designation and contents of the documentation

Products manufactured by **SELT SP. Z O.O.** are the subject of this documentation.

This documentation is valid for all type of **ITALIA BALCONY** balcony awning.



The documentation is valid jointly with the information concerning a specific product, which is available on the website [www.selt.com](http://www.selt.com)

The documentation is a component of product delivery and should be constantly stored in its proximity.

The documentation includes:

- important recommendations concerning product installation, use and maintenance,
- important recommendations concerning product transport and storage,
- tips following which will assure long-time and fault-free use of the product.

**SELT SP. Z O.O. shall not bear responsibility for damage resulting from failure to follow recommendations included in the documentation.**

In order to further improve the product, SELT SP. Z O.O. reserves the right to introduce changes which, while maintaining the essential technical parameters, shall be deemed purposeful for improving product operation quality and safety of use.

SELT SP. Z O.O. with a head office in Opole shall hold the copyrights to this documentation. The documentation cannot be used without permission, either partially or as a whole, for any concurrent business activity nor can it be made available to third parties.

## 2 Product technical information

Product technical specification is available at [www.selt.com](http://www.selt.com) after log in.

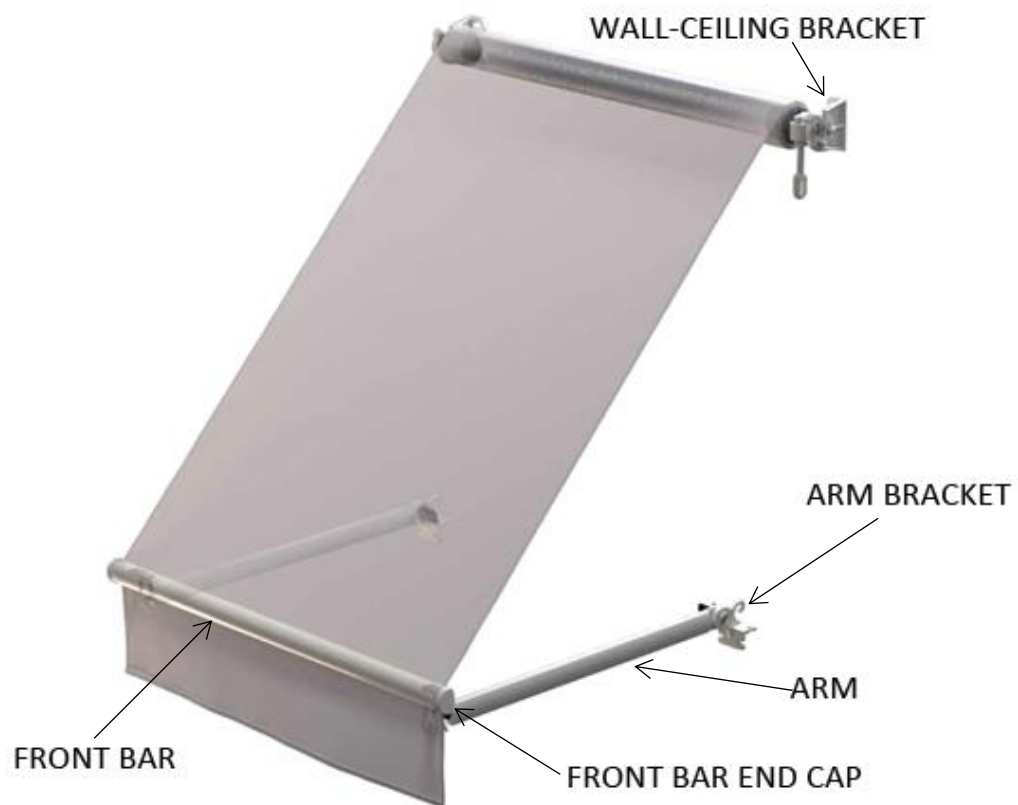
### 2.1 Technical parameters

|                      |   |
|----------------------|---|
| Projection:          | 0,7m  |
| Minimum width        | 30 cm   |
| Maximum width        | 5,0 m   |
| Roller tube diameter | 70 mm   |
| Arms                 | Lowered, aluminum                                 |
| Tilt angle           | 0° - 160°   |
| Manual drive         | Crank 1,5 m, 1,8 m, 2,2 m                         |
| Optional hood        | No  |
| Construction colour  | White, beige, brown, silver, structural graphite  |
| Fabric               | C. 140 patterns                                   |
| Valance              | Height 21 (±0,5 cm), shape according to templates |
| Application          | External  |
| Mounting brackets    | Wall, ceiling, niche                              |

The tolerance of external dimensions is  $\pm 2$ cm

Due to technological reasons, slight differences in colour shade are deemed acceptable and they are not a ground for complaint

## 2.2 Italia awning construction



## 3 Product installation

The following part covers general requirements of the product installation. Proper installation is necessary for efficient operation of the product. SELT SP. Z O.O. recommends to use services of skilled installation crews what guarantees the Purchaser proper installation.

### 3.1 General requirements for safe installation

- it is necessary to follow general rules of construction art
- it is necessary to follow health and safety regulations, especially concerning work with electricity and at heights,
- product should be installed on even and dry wall surfaces that at the same time ensure proper strength and are completed according to general rules of building art,
- before starting the installation remove all unnecessary elements from the installation area.

### 3.2 Requirements for safe installation at heights



Installation of the product, because it requires performing work at heights, is particularly dangerous because it poses a high risk of danger to human health and safety and in particular fall from height.

Preparation of a plan on health and safety during installation is the responsibility of the Purchaser.

Purchaser should determine specific requirements of health and safety when working at height, and especially to ensure:

- direct supervision of work execution by the designated person (e.g. the foreman),
- adequate safeguards measures, in particular protective equipment against falls from height,
- detailed instruction of employees performing work at heights.

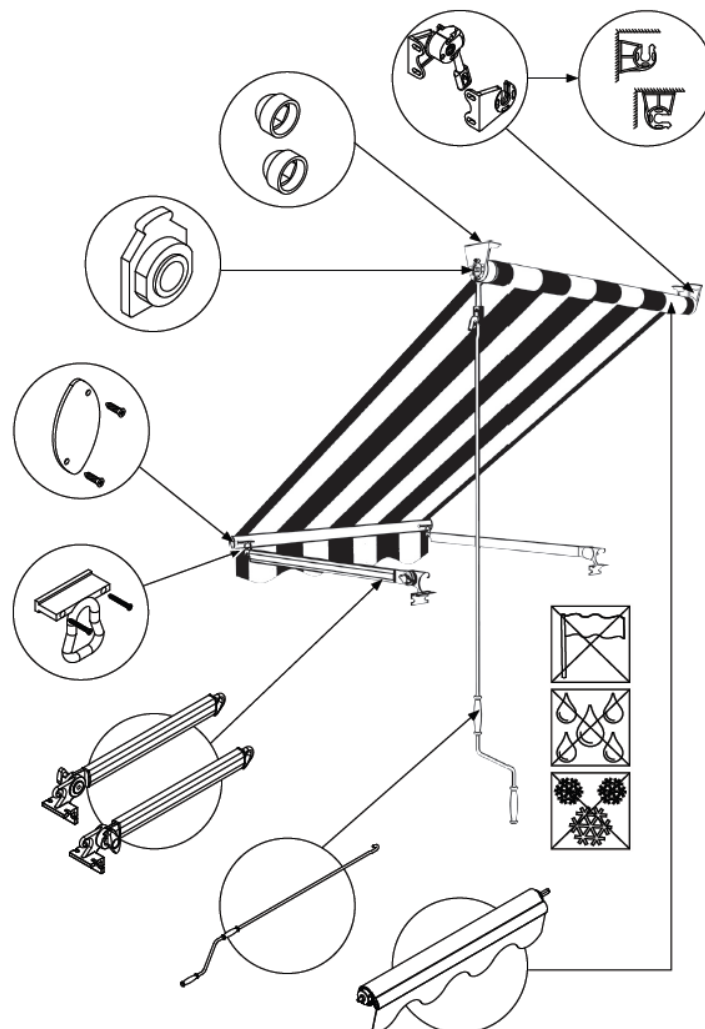
Work at heights above 2 meters, requiring using personal protective equipment against falls from height, must be performed by at least 2 people.

Work at heights should be organized and carried out in a way that does not force employees to lean out of the railings or outline of a device on which they stand. The buyer has an obligation to ensure that areas of work at heights can be accessed only by authorized and informed personnel. Health and safety professionals should inform employees residing or staying at the conduct of such works or in the vicinity of the site about conducted operations at heights and the necessary safety measures to be applied during this work.



### 3.3 Preparation to installation

- unpack product and check if it contains all necessary elements for installation,
- make sure that the base where product will be mounted provides sufficient bearing capacity for safe installation and operation of the product,
- prepare set of tools necessary for installation.



### 3.4 General guidelines for installation

- To avoid the risk of hand and fingers harm during opening and closing of the awning, the awning should be installed on such height so that the lowest element of the awning after it is opened is at least 2200mm above the ground,
- The product should be protected against any stains made by e.g. silicon, mortar or mounting foam, which may cause its damage,
- Using any chemical substances containing bituminous substances or any other substances making reactions with the product is forbidden,
- In case of installation in public places, e.g. hospitals, schools, boarding schools etc. The placement of switch/remote control device should be marked according to health and safety regulations,

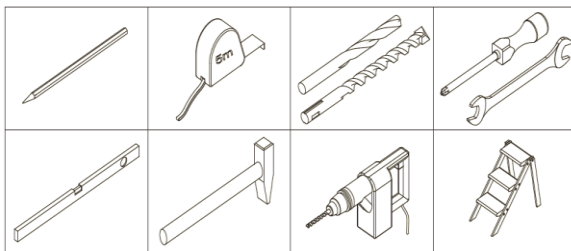


Awning installation, adjustment and test its testing can be carried out by service crew or trained persons only. Person conducting the installation and first run is responsible for appropriate fixing of the awning including fixing elements, allowing for its correct operation and parameters.



Improper installation may cause hazardous situation for the user.

### 3.5 Installation tools



hammer drill, drills  
ladder/scaffolding  
screw driver  
hammer  
measure tape  
pencil/marker  
spirit level  
ring/flat wrenches, Allen keys  
anchors

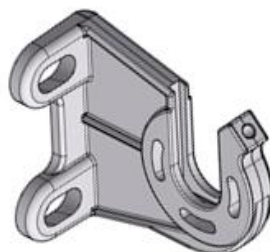
### 3.6 Italia Balcony awning installation

For base – uncracked concrete C20/25 class and no higher than C50/60:

- Anchors M10x110 A4 embedded on injection mortar (recommended anchors from Fischer FIS A M10x110 A4 on resin FIS V, embedment depth in concrete shall be 80 mm, or equivalent product from different supplier)
- Choice of arm mounting depends on the handrail
- Minimum base thickness is 150 mm for M10 anchor.

The wall-ceiling brackets should be installed on the edges from both sides of the awning.

Wall-ceiling bracket (right side)



1) Prepare installation tools according to the list.



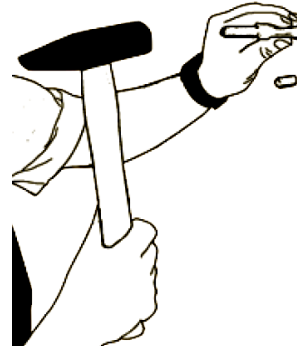
2) Start the installation with marking installation spots for brackets. Level the bracket vertically with spirit level and mark places for installation holes.



3) Drill in marked places.



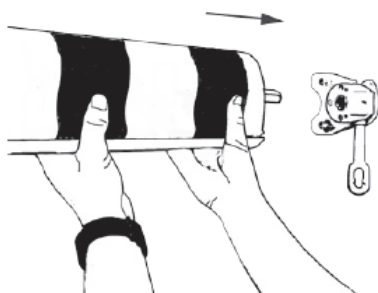
4) Fix installation anchors.



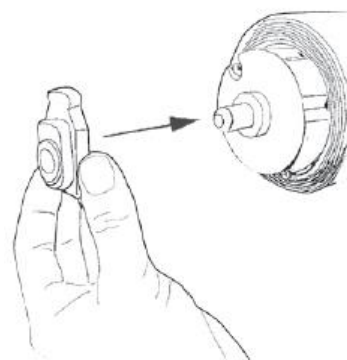
5) Install wall bracket (from the drive side).



6) Set up the awning with plug and square pin on the bracket from the drive side.



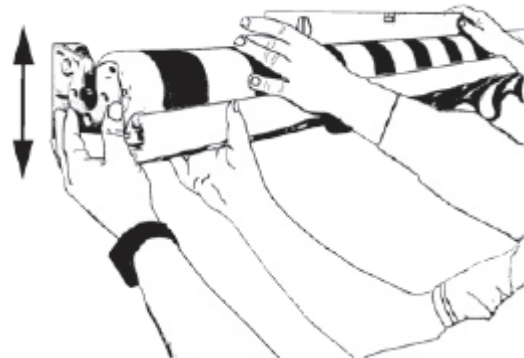
7) Insert the slide bearing to the round pin on the roller tube ending .



8) Put the second bracket on the round pin with slide bearing.



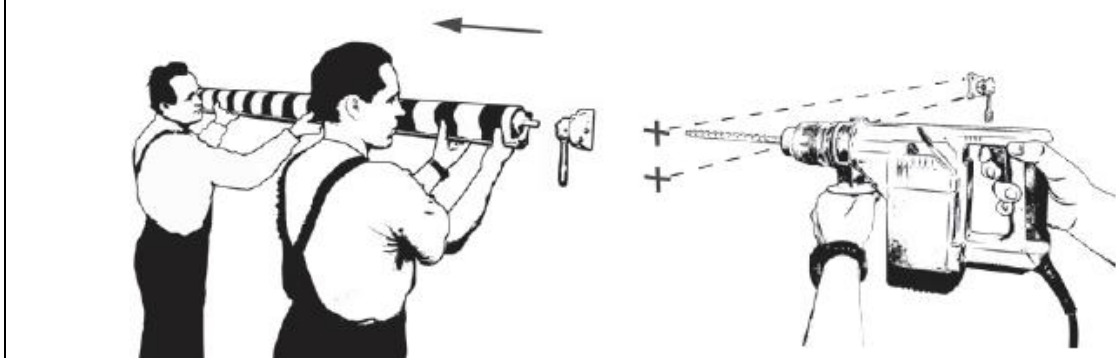
9) Level the awning horizontally with spirit level.



10) Mark the installation spot for the second bracket. Pay particular attention so that brackets are installed at the same horizontal level and in the same plane.



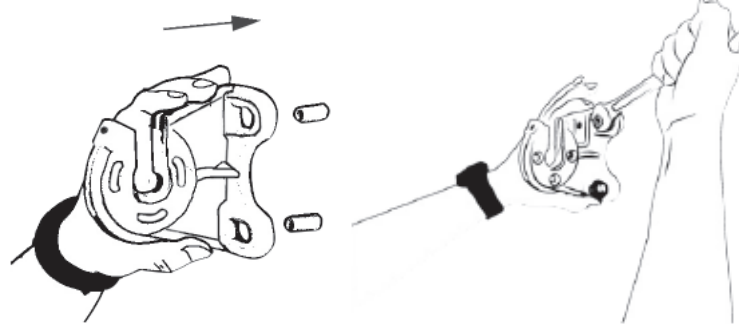
11) Take off the awning and drill holes in marked places.



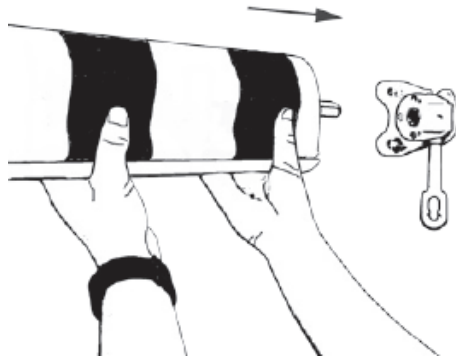
12) Fix installation anchors.



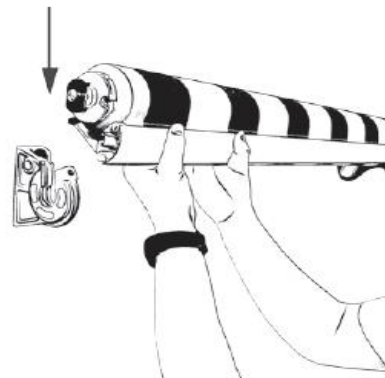
13) Screw on the bracket.



14) Set up the awning with plug and square pin on the bracket from the drive side.



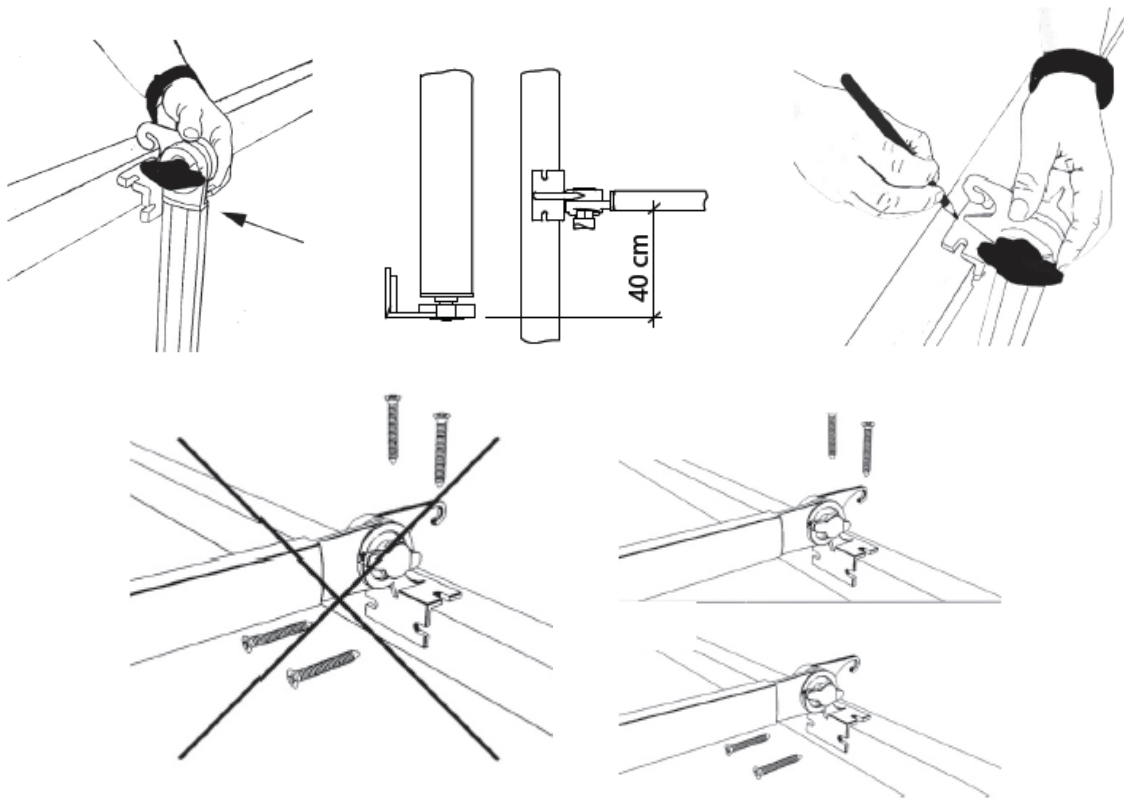
15) Put the awning with the round pin and slide bearing into the second bracket. Block the bearing with Allen screw.



16) Open the awning slightly.



17) Start the arms installation with marking the fixing spots for arm brackets on the balustrade.



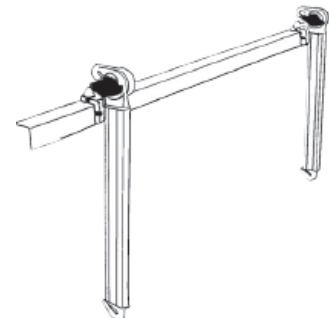
18) Drill holes in marked spots.



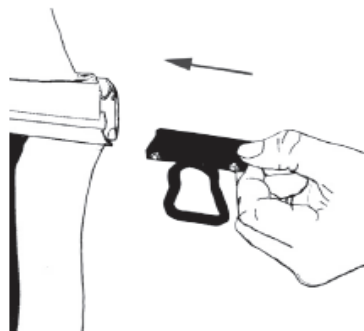
19) Fix the arm to the balustrade.



20) Fix the second arm in the same manner.



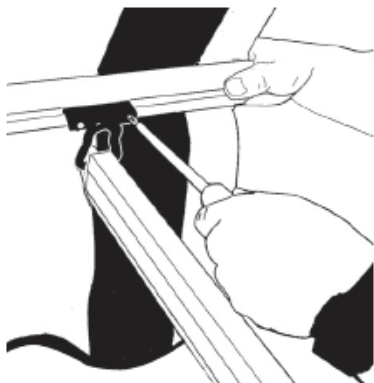
21) Slide eyelets to the groove in the front bar.



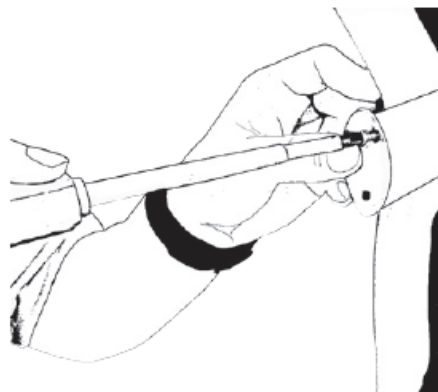
22) Release the arms blockade with a handwheel. Then attach the upper part of the arm (hook) to the eyelet in the front bar.



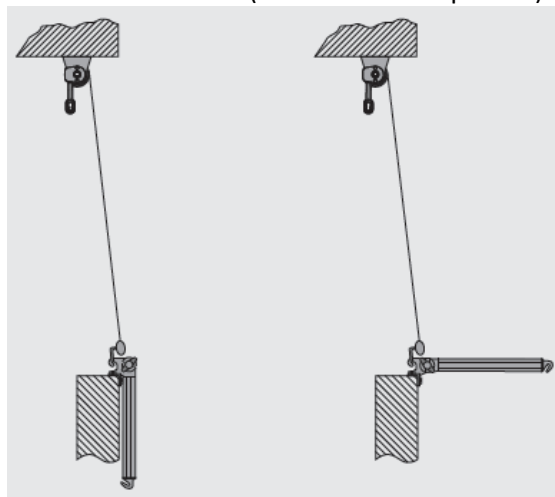
23) Secure the eyelets with screws.



24) Fix the front bar side covers with screws.



25) The eyelets can be also fix to the arm hook (as shown in the picture).



### 3.7 *Manual drive*

Setting the awning tilt angle is performed:

- by unlocking the arm blocade with a handwheel
- with the use of a crank
- by blocking the arms with a handwheel
- After setting the tilt angle, proper fabric tension is provided by slightly rolling up the excess of fabric.
- Gears 11:1 are not equipped with overturn protection (so called mechanical end stop).
- Pay attention to the maximum awning tilt angle.
- Do not allow the fabric to be rolled in the opposite direction (from the bottom of roller tube), since it may cause its ripping off the roller tube, fabric damage or incorrect awning functioning.



## 4 Final remarks

### 4.1 *Completeness and qualitative state of delivery*

Awning is delivered with installed arms, fabric and wall brackets, with accompanying additional packages. Selt SP. Z O.O. makes every effort to ensure that the goods are produced in accordance with the order. To check the completeness of the product is purchaser's duty and it should be conducted at the time of delivery. Any discrepancies of the product with the order should be reported immediately to the driver/warehouseman/installers and noted in the proof of delivery at the risk of rejecting claims regarding quantitative discrepancies. Checking the quality of the apparent defects should be done by the purchaser at the time of delivery. As apparent defects are considered mechanical damages, scratches, cracks, etc. Any discrepancies in quantity or possible replacements of parts being the evident result of Selt SP. Z O.O. fault, the company agrees to supplement or replace in the shortest possible time.

### 4.2 *General conditions for transport and storage of the product*

- The product is factory-packed in a cardboard box to prevent its damage during storage, transport and during its transportation to the place of final assembly,
- For the transport purposes, the products should be set in accordance with the arrows on the packaging,
- Store the product in a way preventing the package from crushing, what in turn may lead to product permanent damage,
- Products placed on the means of transport must be secured against movement and damage during transport (e.g. spacers, safety belts, etc.).
- During transportation the products must be protected from the rain or snow,
- Storage places should be dry, airy and protected from the harmful effects of weather conditions (sun, rain, etc.),
- Where the weight of the product exceeds 25kg and its transportation to the place of final assembly must be carried out by at least two persons.

## 5. Disassembly/ Utilization/ Disposal



Improper system disassembly can result in severe injuries and system damage. System disassembly should be commissioned to a properly qualified assembly team or to a person suitably trained within industrial safety and with the knowledge concerning recovery.

### Disposal of worn electrical and electronic equipment

After the end of product lifetime it must be disassembled and separate material must be segregated according to Regulation of the Minister of Environment of 9 December 2014 on waste catalogue – Dz. U. [Journal of Laws] of 2014 item 1923

| No. | Subject         | European legal basis   | Polish legal basis  |
|-----|-----------------|--|---|
| 1   | Waste catalogue | Commission Regulation (EC) No. 574/2004 of 23 February 2004 amending Annexes I and III to Regulation (EC) No. 2150/2002 of the European Parliament and of the Council on waste statistics. | Regulation of the Minister of Environment of 9 December 2014 on waste catalogue – Dz. U. [Journal of Laws] of 2014 item 1923. |

## 6 Marking and labelling the product with CE mark


### 6.1 Product compliance with the CE standard

Products manufactured by SELT company meet the essential requirements of the standard introduced by the Polish Committee for Standardization as PN-EN 13561, which is confirmed by the manufacturer's declaration of performance and marking the product with the CE mark.


In order to maintain this condition and assure safe use and maintenance of the system, the installation and operating manual and instructions for safe use must be observed.

### 6.2 Information accompanying the CE mark

- a) Marking in the product

|   |
|---|
|  |
| SELT Sp. z o.o.<br>OPOLE, ul. Wschodnia 23A   |
| EN 13561  |

b) Marking on accompanying documents

|   |
|---|
|    |
| <b>SELT Sp. z o.o.</b><br><b>OPOLE, ul. Wschodnia 23A</b><br><b>POLAND</b><br><b>07</b>   |
| <b>EN 13561</b><br><b>Balcony awning ITALIA BALCONY 500x70</b><br><b>For external use.</b><br><b>Wind load resistance:</b><br><b>1 class</b><br><b>Total solar energy transmittance</b><br><b>g tot: 0,01-0,90*</b><br><br><b>DWU 24 / M / 2017</b> |